

FLOHOME 50 USER'S MANUAL



1. INTRODUCTION

2. TECHNICAL INFORMATION

- Craft design category

3. NAVIGATION LIGHTS

4. SAFETY EQUIPMENT AND SAFETY

- Required safety equipment
- Recommended safety equipment
- Life jackets
- Fire extinguisher
- Lanterns
- Alcohol/drugs and boating
- Use of bathing ladder
- Maximum recommended load
- Operator vision from the helm
- CO Exposure
- Windows and hatches
- General operation of craft

5. ENVIRONMENTAL CONSIDERATIONS

- Fuel and oil spillage
- Discharge and disposal of waste
- Excessive noise
- Wake and wash
- Exhaust emissions
- Paints/cleaning agents

6. MAINTANCE

- General care
- Materials and components
- Antifouling
- Lifting your boat
- Mooring

7. FRESH WATER SYSTEM

- System schema
- Using tips

8. BLACK WATER SYSTEM

- Septic system schema
- Using tips
- Grey water system schema

9. CENTRAL HEATING SYSTEM

10. ELECTRIC FLOOR HEATING IN BATHROOM

11. DIESEL SYSTEM

12. FUEL SYSTEM

13. POWER GENERATOR

14. TECHNICAL ROOM

15. ANTIFREEZE SYSTEM

16. ELEKTRYCTRICAL INSTALATION

SYSTEM -230VAC

SYSTEM -12VDC

1. INTRODUCTION

Even if everything has been planned and designed for the safety of the boat and its users, boating is highly dependent on the weather conditions, the sea state, the experience and physical shape of the crew etc. and one can never ensure full safety.

Even if your boat is categorized for them, the sea and wind conditions corresponding to the design categories A, B, C and D range from strong gale to severe conditions, open to the hazards of a freak wave or gust, and are therefore dangerous conditions, where only a skilled, fit and trained crew sailing on a well-maintained boat can satisfactorily sail.

The sea or the weather is not the natural environment for mankind and one can only respect its laws and its strength. Always listen to or read a weather forecast or prevision prior to any sailing excursion or voyage, and ensure that the wind and sea conditions will correspond to the design category of your boat, and that you and your crew are able to handle the boat in these conditions.

This Owner's manual contains the minimum information that is necessary to run the boat properly, some safety topics, operation and maintenance hints. Read it carefully, and familiarize yourself with the craft before using it. However, this Owner's manual is not a course on boating safety or how to navigate, anchor or dock your boat. Your dealer, national sailing federation or your yacht club will be able to advise you on local schools, or instructors.

This Owner's manual is neither an operation, nor a maintenance or troubleshooting booklet.

Please always use a trained professional for maintenance, repairs or minor modifications. For major modifications, ensure that he does not significantly modify the safety characteristics of the craft, and where relevant, ensure he has the written authorization of the boat builder or its legal representative.

Any change in the vertical position of the masses onboard (for example, the addition of a fishing tower, a radar, a stowing mast etc.) may significantly affect the stability of your boat. Do not make these eventual changes without the written authorization of the boat builder or its legal representative.

In many countries, a boat driving license, authorization or training is required. Please make sure you have these legal authorizations before purchasing and using your boat.

Always maintain the boat properly and irrespective of this, always adjust your use of the boat to the condition it is in. Boats suffer wear and tear with time and usage. The International IMO Colreg regulation defines rights of way, navigation lights etc. throughout the world. Make sure you are familiar with these rules and you have a booklet explaining them onboard.

If this is your first craft or you are changing to a type of craft you are not familiar with, for your own comfort and safety, please ensure that you obtain handling and operating experience before taking command of the craft.

Any boat, no matter how strong it may be, can be severely damaged if handled and treated improperly by unskilled persons. This is not compatible with safe boating. Always adjust the speed of powerboats to sea conditions to avoid excessive slamming.

PLEASE KEEP THIS MANUAL AND ITS ENCLOSURES IN A SECURE PLACE, AND HAND IT OVER TO THE NEW OWNER WHEN YOU SELL THE CRAFT.

2. TECHNICAL INFORMATIONS

Measurements:

Lenght	14,90m
Beam	5,60m
Height	4,70
Weight	12t
Draught	60cm
Max.crew	20 pers.

Tanks capacity:

Fuel tanks	2 x 93 ltr
Diesel tank	250 ltr
Fresh water	500 ltr
Septic	350 ltr

Other:

Domestic battery x 2	180Ah
Engine start battery x 2	90Ah
Bow thruster battery	180Ah
Anchor winch battery	180Ah
Battery system	12VDC
Power generator 230VAC	4,2kW

CRAFT DESIGN CATEGORY:

Certification

Your craft is certified in compliance with the relevant parts of the Recreational Craft Directive 94/25/EU, 2003/44/EU of the European Parliament. The CE mark denotes that your craft meets or exceeds all current standards and directives set by the International Organisation for Standardisation (ISO).

Craft Design Category

All small craft are classified according to a standard design category.

Your FLOHOME 50 is classified under category D.

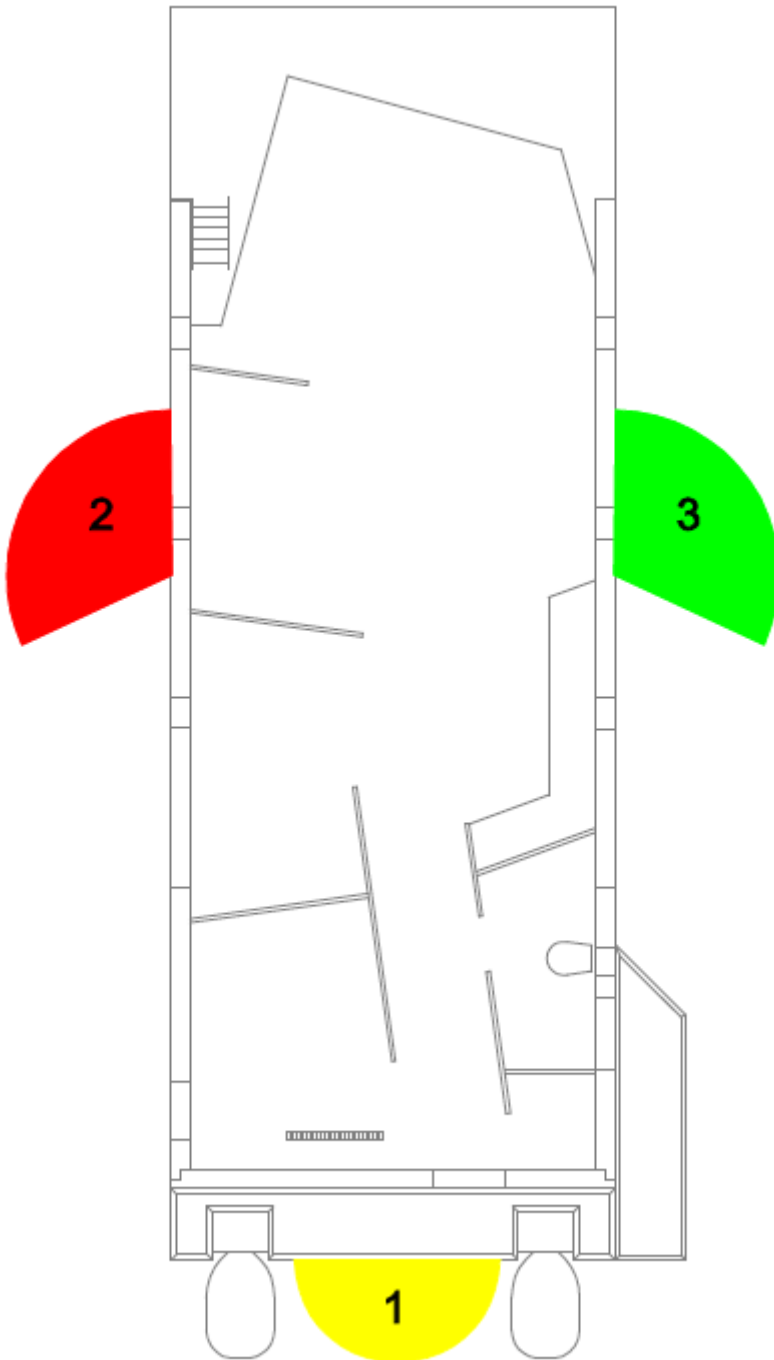
Category D - Inland or sheltered coastal waters.

Category D is for boats in small lakes and rivers with winds to Force 4, up to 15 knots, and significant wave heights to 18 inches.

3. NAVIGATION LIGHTS

Vessel is equipped with following navigation lights:

- 1 – stern - white
- 2 – side - red
- 3 – side – green



Warning

Lanterns

Boats without lanterns must not be driven in the dark or when visibility is poor.
Remember to turn them on to avoid collision.

4. SAFETY AND SAFETY EQUIPMENT

Warning alarm

If a warning alarm sounds, check all your gauges and stop the engine immediately. You may have a problem with overheating of the engine and/or not enough oil.

Required safety equipment

- Life jackets for all passengers
- Navigation lights
- Fire extinguisher
- Manual bailing device

Recommended safety equipment

- Anchor line and anchor
- Mooring lines and fenders
- First-aid kit
- Spare set of keys
- Auxiliary starting battery
- Spare fuses and bulbs

Life jackets

Make sure that all life jackets fit properly and are readily available.

Caution

Non-swimmers such as children and handicapped people should wear their life jacket at all times. A throwable flotation device, such as a ring, should also be easily reached onboard.

Fire extinguisher

Keep your fire extinguisher where it is easy to reach. Make sure you know how to use the fire extinguisher as soon as you take it onboard by reading the user manual.

Never face the wind direction when using the fire extinguisher, and point the extinguisher at the source of the fire. When an extinguisher has been used, for no matter what length of time, it must be delivered to an authorized dealer to be refilled.

Your boat is delivered with two 2kg handheld fire extinguishers.

Warning

Lanterns

Boats without lanterns must not be driven in the dark or when visibility is poor.

Caution

Alcohol/drugs and boating

Do not consume alcohol or drugs when boating. They severely affect your concentration and balance. Alcohol in your bloodstream will also lessen your tolerance of temperature changes - cold winds, cold water should you fall overboard.

Warning

Use of bathing ladder/platform

Always turn off the engine before using the bathing ladder/platform to avoid contact with moving parts such as the propeller.

Maximum recommended load

Note the permissible load acknowledged on a CE plate located at the steering console of your boat.

The permissible load must never be exceeded in order to ensure safe operation of your boat. The permissible load covers all provisions, tank contents, miscellaneous equipment and persons onboard.

Please also make sure that all load is sensibly distributed and safely secured, especially during rough weather.

Maximum number of crew onboard must not exceed 20 persons.

Operator vision from the helm

Operator vision from the helm can be obstructed by high trim angles of the craft and other factors caused by one or more of the following variable conditions:

- loading and load distribution
- speed, rapid acceleration
- sea conditions, rain and spray
- darkness and fog
- interior lights and position of curtains
- persons or movable gear in field of vision

International regulations require that a proper lookout be maintained at all times to avoid collision and observe right of way.

CO Exposure

All boat engines produce CO as exhaust. This is an extremely noxious and dangerous gas.

It is almost impossible to detect as it is odourless and colourless.

Early signs of exposure to CO are tiredness, dizziness and nausea. Extended exposure to CO could result in brain damage or death.

In order to prevent exposure to CO, it is essential you follow these guidelines:

- Make sure there are no obstructions to the engine exhaust - these could be moorings, other craft etc.
- While operating at slow speeds, possibly with the bow high, make sure the exhaust is not blowing into the boat, but away from the boat.

Windows and hatches

Keep all windows/hatches etc. closed at high speeds and in rough weather, to avoid risk of injury/damage.

General operation of craft

Please observe the following with regard to the powering and maneuvering limitations of your craft:

- Do not operate your craft at maximum speed while in congested waterways or in rough weather and sea conditions or conditions of reduced visibility.

- Observe right of way at sea as defined by international regulations.
- Always maintain sufficient stopping distance or distance to maneuver if required to avoid collision.

5. ENVIRONMENTAL CONSIDERATIONS

As the owner of a leisure craft, you are responsible for protecting the natural environment, both at sea and ashore. Please leave both sea and land as you would hope to find them.

Fuel and oil spillage

Never dispose of fuel or oil while out at sea. These are toxic substances which harm the environment. Disposal of fuel or oil into the water is an offence and you may be fined.

Warning

If spillage occurs accidentally, e.g. while filling fuel or oil, please remember that these substances are highly explosive and toxic.

Do not expose them to open flame, or store cloths used to wipe up the spillage in the boat.

Discharge and disposal of waste

Please do not dispose of any form of waste into the water in marina or coastal region.

Most marinas have large waste bins at the waterside for boat owners use, so take all your waste products back to shore with you.

Excessive noise

Show consideration for fellow boaters or those ashore. Noise carries considerable distances on water, particularly at night, so keep music, shouting and engine noise as low as possible.

Wake and wash

You must always obey all speed restrictions.

Most marinas will have speed restrictions in the waters nearby to prevent wash from other boats damaging the boats in moorings.

Caution

Not all areas are marked with speed restrictions, so please reduce your speed to come off plane when passing by areas where boats are moored or people are swimming.

Exhaust emissions

Hydrocarbon in exhaust emissions pollutes the air and water.

To keep exhaust emissions to a minimum, keep your engine well-tuned and regularly clean the hull of your craft.

Paints/cleaning agents

Marine growth on the hull of your boat can be avoided by the use of anti-fouling paint, but be aware of environmental restrictions on what types of paint you can use – your dealer or local boating authority will be able to provide advice.

We recommend the use of environmentally friendly cleaners, which not only minimize the impact on the environment, but are also effective and safer for you.

Use all cleaners sparingly, and do not dispose of them or their containers into the water.

6. MAINTANCE

General care

- **Cleaning your boat**

Boats generally deteriorate over lengths of time with exposure to salt water, sunlight, pollution.

Regular cleaning of your boat will minimize this wear and tear. Special boat cleaning products are available from marine markets, but you must never use abrasive products as these can damage the paint surface.

Caution

Take care when cleaning the deck of your boat as detergents can make the surface very slippery.

- **Marine growth**

If absolutely necessary, special products may be used to remove marine growth from the hull, but these products should not be discharged into the water. Do not use wire brushes or scouring pads on the hull of your boat as these will scratch the surface and destroy the existing antifouling layer.

- **Anti-fouling paint**

Proper anti-fouling paint systems are a necessity to protect your boat from hull corrosion.

- **Saltwater corrosion**

If you use your boat in saltwater, you should rinse it with freshwater as often as possible to avoid corrosion.

- **Stainless steel fittings**

Stainless steel can also suffer from wear and tear. Use a mild detergent and water to keep it clean.

Never use abrasive cloths or brushes as these will scratch the surface.

Use a polish to remove rust spots as soon as they appear, and wax regularly to prevent corrosion.

- **Materials and components**

Your boat has been designed and manufactured, tested and certified according to strict regulations and safety standards. We strongly advise against any installation by the owner of additional materials or components as these may affect the safe operation of your boat, and its warranty coverage.

Painting

We recommend regular application of a bottom pain to prevent marine growth.

Consult maritime specialists on which bottom paint to use, depending on where you plan to use your boat.

Caution

Paints are both toxic and flammable. Make sure the area where you are painting your boat is well-ventilated and that you use the proper safety equipment - gloves, glasses, mask etc.)

Lifting your boat

Make sure the ropes are positioned carefully so that the boat is horizontal when lifted.
Provide protection between ropes/cables and the boat to prevent damage while lifting.

Warning

Never stand under the boat while it is being lifted!

Mooring

It is the owner's responsibility to ensure that mooring lines, towing lines, anchor chains and anchors are of suitable size for the boat's intended use.

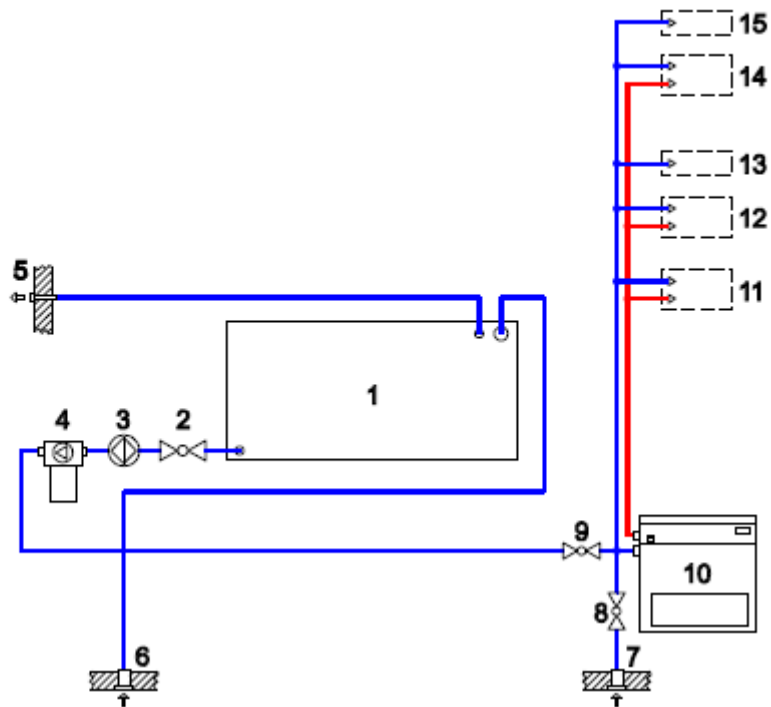
Caution

The owner must make himself acquainted with the securing of the tow line onboard on the designated strong point(s).

There are 3 mooring cleats at each side of your boat and two D-shape mooring eyes at the bow.
It is recommended to learn mooring tips to make sure that your boat is properly secured.

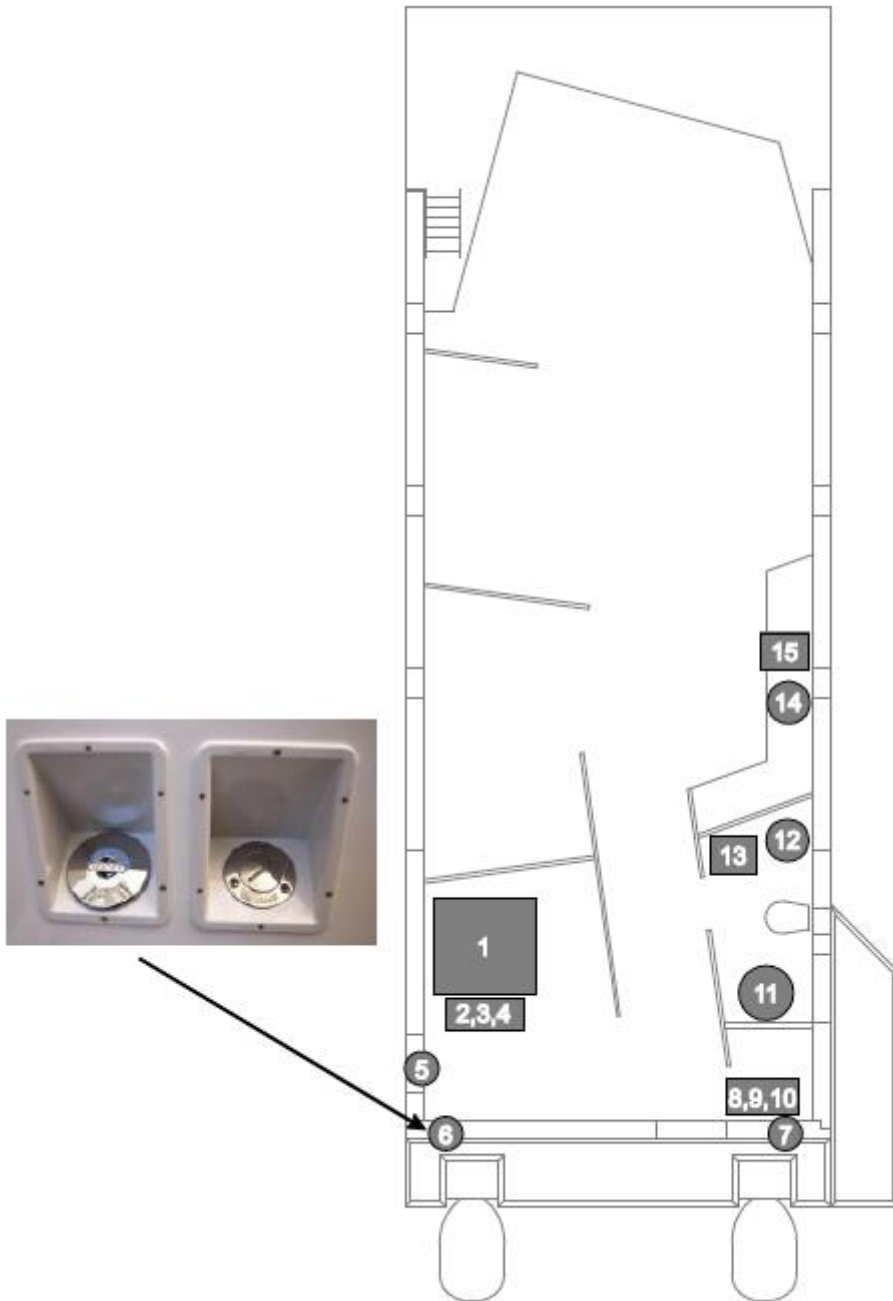
7. FRESH WATER SYSTEM

System schema



LEGEND:

- 1 – Fresh water tank
- 2 – Ball valve
- 3 – Water filter
- 4 – Water pump
- 5 – Breather of water tank
- 6 – Water intake
- 7 – Direct water connection
- 8 – Water intake valve for the heating system 2
- 9 – Water intake valve for the heating system 1
- 10 – Central water heating system
- 11 - Shower
- 12 - Basin
- 13 - Washingmachine
- 14 – Galley sink
- 15 - Dishwasher



Water temperature for the heating system as well as the tap water can be adjusted on the Siemens pannel located on the wall of the technical compartment.

* please refer to the Kabola user's guide for further info on temperature setup

USING TIPS

FILLING THE WATER TANK

The water tank can be filled through the water intake located at the stern wall of the vessel.



During the process of filling you should control the water tank level indicator.

The indicator is located in the technical compartment.

**It is your responsibility to use chemical water cleaning tablets to make sure that the water is clean and clear of germs.*



DIRECT WATER CONNECTION

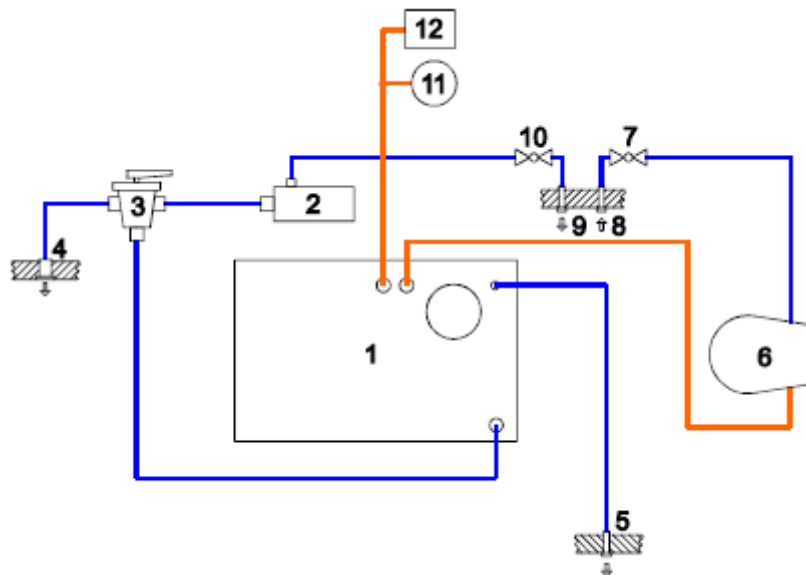
In order to use the direct water connection you should connect the hose to the connection located at the stern wall of the vessel. The water system adjusts automatically as soon as the outside water source is connected.

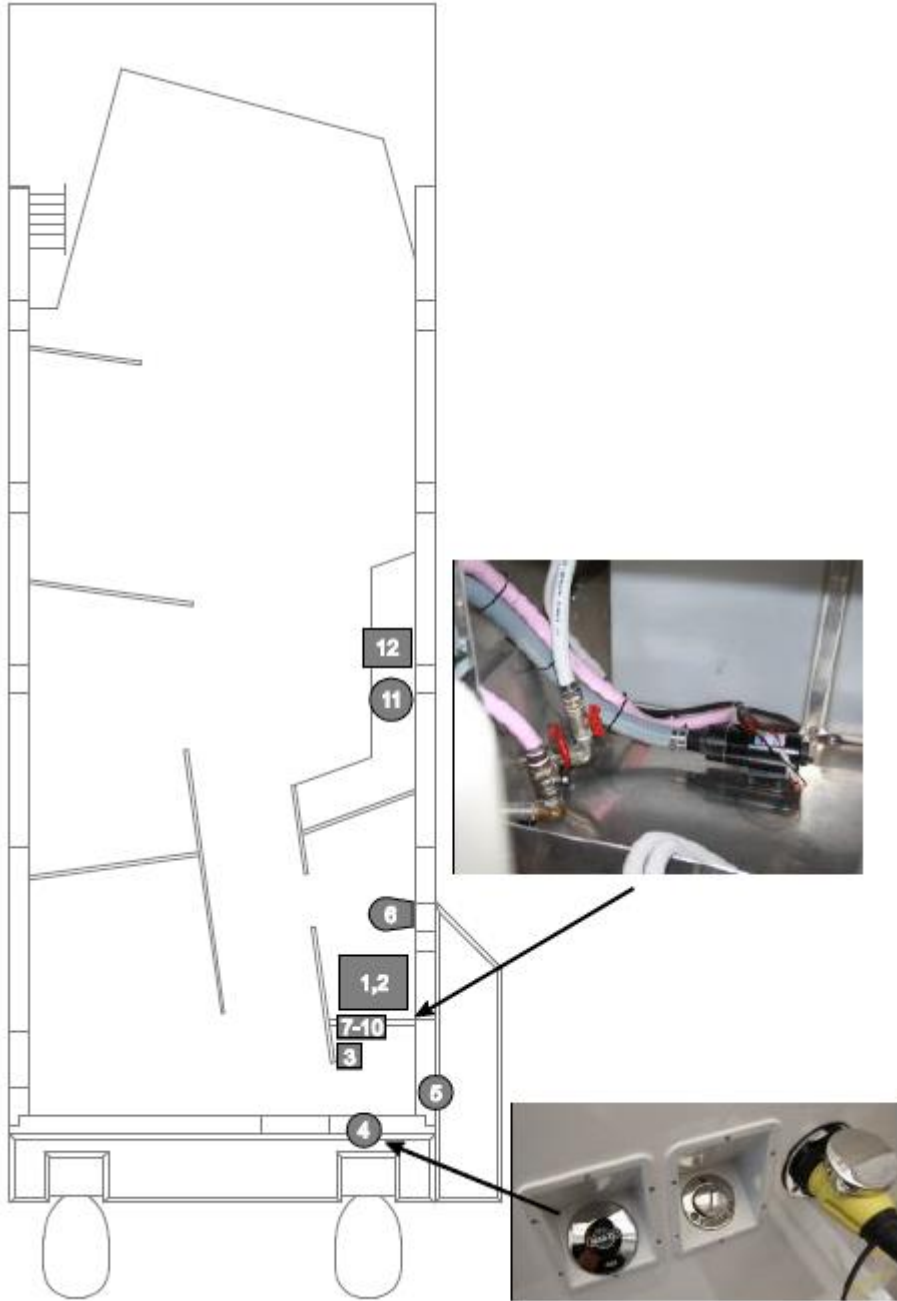
8. SEPTIC SYSTEM

SEPTIC AND GALLEY WASTE WATER SYSTEM SCHEMA

LEGEND:

- 1 – Septic tank
- 2 – Septic discharge pump
- 3 – Three way valve for on-land or in-water discharge
- 4 – On-land discharge
- 5 – Septic tank breather
- 6 - Toilet
- 7 – Toilet water intake valve
- 8 – Water intake for the toilet
- 9 – In-water discharge
- 10 – In-water discharge valve
- 11 – Galley sink
- 12 – Dishwasher





USING TIPS

Septic system installed on the vessel is connected to the electric toilet only.
In order to use the system you should turn on the 12VDC power on the control pannel located in the technical room.

USING THE TOILET

After using the toilet you should flush it by using the button located on the side wall.



You can control the level of septic tank by checking the level indicator located in the technical room.



**This is a marine toilet with a macerator.
Make sure that you are using marine grade toilet paper!**

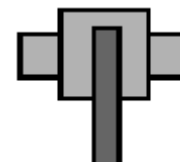
DISCHARGING OF THE SEPTIC TANK THROUGH AN ELECTRIC DISCHARGE PUMP

The valve no 3 must be in the position shown on the picture enclosed.

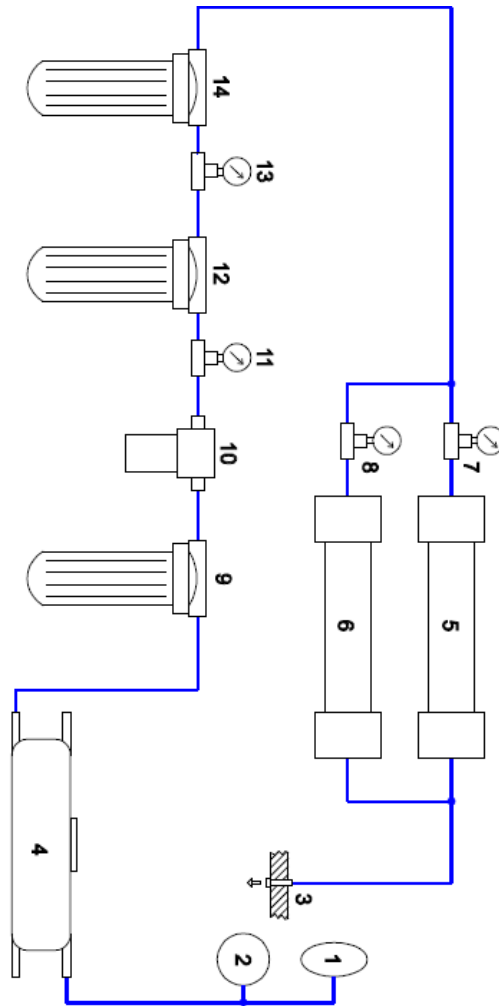


ON-LAND DISCHARGING

The valve no 3 must be in the position shown on the picture enclosed.



Wavebrite grey water cleaning system



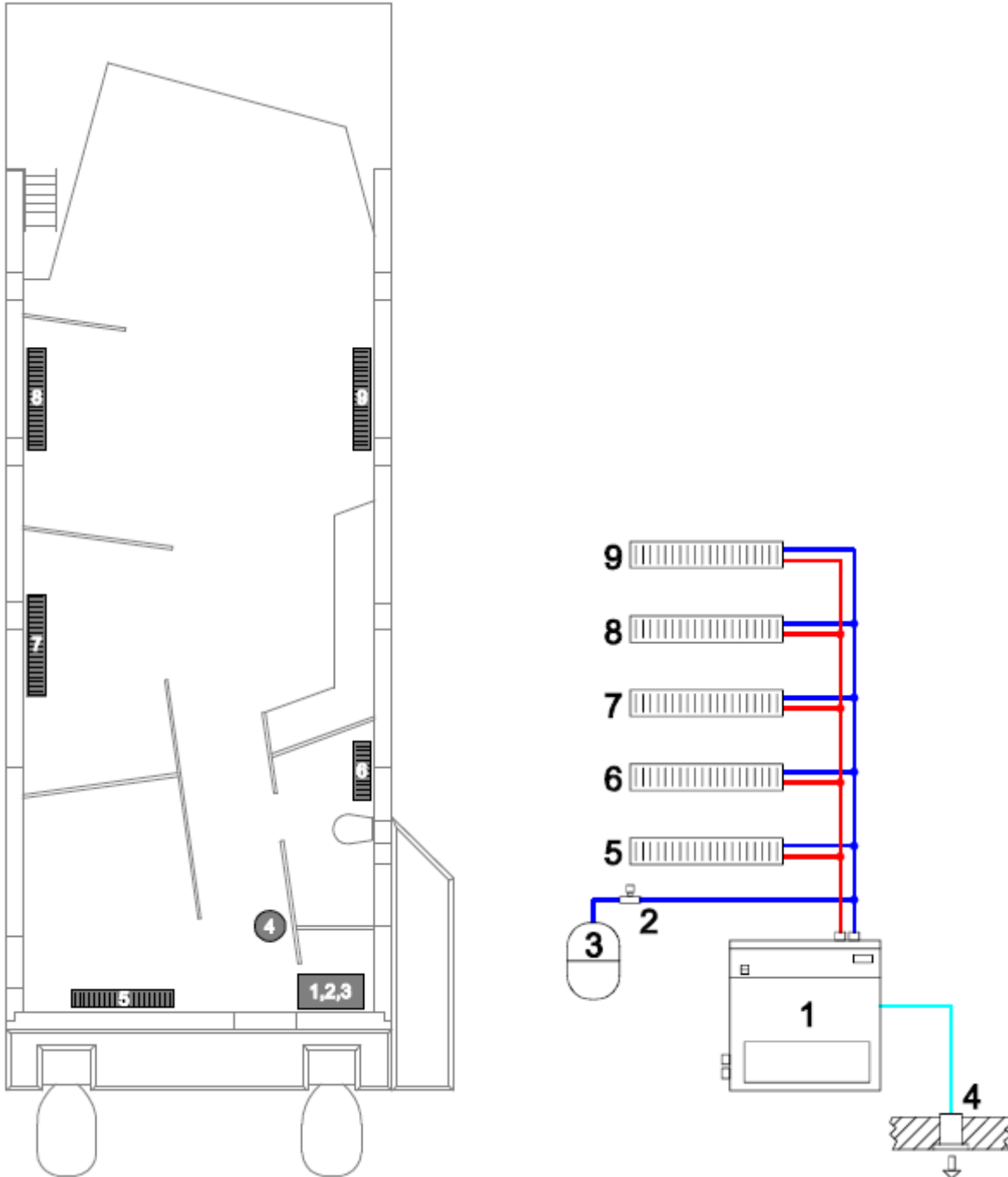
LEGEND:

- 1 - Sink in the bathroom
- 2 - Shower in the bathroom
- 3 - Waste outlet
- 4 - Waste water sump
- 5 - Wavebrite filter module
- 6 - Wavebrite filter module
- 7 - Pressure gauge 4
- 8 - Pressure gauge 3
- 9 - Bag filter / strainer 1 - 100 micron
- 10 - AC/DC water pump
- 11 - Pressure gauge 1
- 12 - Filter 2 - 5 micron
- 13 - Pressure gauge 2
- 14 - Filter 3 0.5 micron

For further details please read the Wavebrite User's Guide or check www.wavestream.co.uk

*It is your responsibility to check the filters on a regular basis.

9. CENTRAL HEATING SYSTEM



LEGEND:

- 1 – Kabola heating unit
- 2 – Safety valve
- 3 – Pressure accumulator
- 4 – Exhaust outlet
- 5 - 9 - Radiators

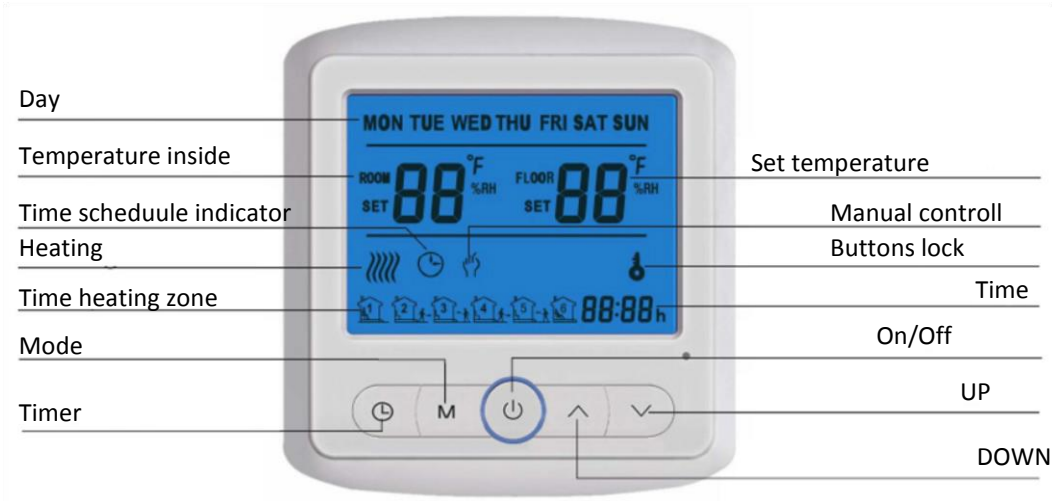
Water temperature for the heating system as well as the tap water can be adjusted on the Siemens panel located on the wall of the technical compartment.

* please refer to the Kabola user's guide for further info on temperature setup

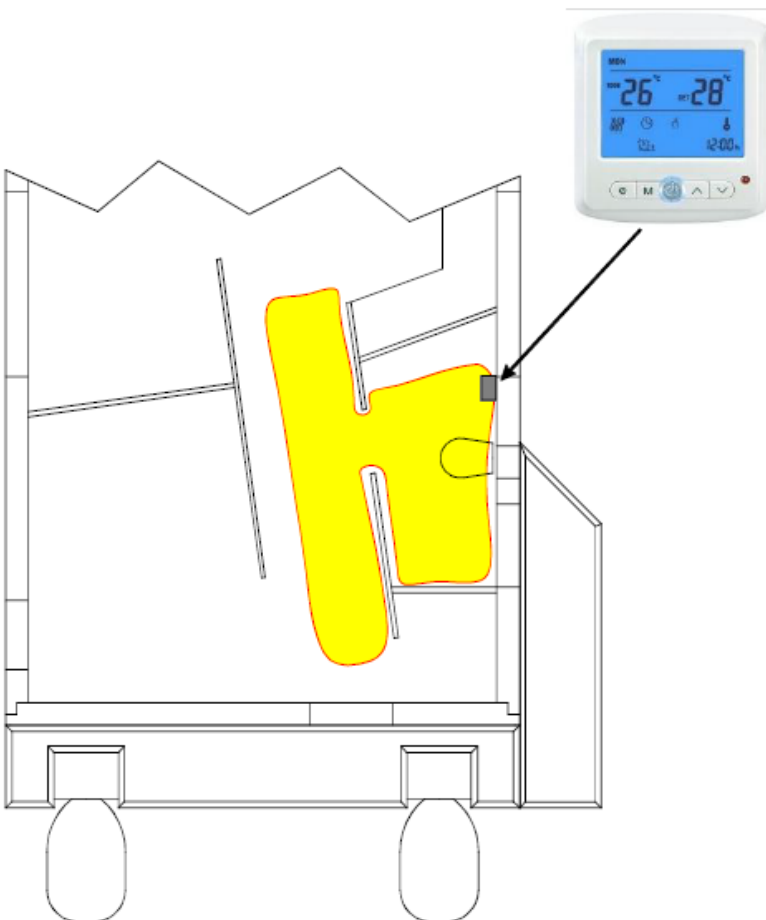
10. ELECTRIC FLOOR HEATING IN BATHROOM

Electric floor heating is covering the surface of bathroom and a part of corridor at the main entrance. You can adjust the temperature by using the controll unit located in the bathroom.


TIPS



Electric floor heating is covering the surface of bathroom and a part of corridor at the main entrance. You can adjust the temperature by using the controll unit located in the bathroom.




Manual setting.

The thermostat will keep the temperature at a manually set level. You can set the desired temperature by pressing ^ or v buttons , weekly setting is inactive. Press the **M button** until, you can see  to turn on that mode.

Weekly mode.

The thermostat will be adjusting the temperature automatically according to settings made by the user. Programming of the heating schedule can be divided on following day modes: MON-FRI, SAT-SUN, MON-SAT or MON-SUN.

The user can choose up to 6 different times of heating in 24hrs with a desired temperature at different time zone and week day.

Press the **M** button until you can see the  symbol on an LCD display to choose this mode.



Buttons lock.

To lock/unlock the keypad press and hold ^ and v buttons together for 5 sec.



Active switch off.

Blinking of the heating symbol during a normal heating is meaning that the temperature has reached the maximal allowed floor temperature and the heating has turned into OFF mode.

Once the temperature inside drops down the thermostat will turn ON the heating again.

When the heating symbol is visible even when the heating is in OFF mode it means that the antifreeze mode is turned ON. The thermostat will keep the temperature above 5 degr. C.

The antifreeze mode works only when power source is connected to the control unit./

FLOOR Actual floor temperature indication.

This option works only in if two sensors (interior and floor) of temperature are connected.

This option is active only in AL mode when two sensors are active.

Press and hold ^ button. After 3 sec. the display will automatically return to inside temperature view.



Timer.

Press that button to set-up the time and day.

holding

By using ^ and v buttons you can set-up : minutes/hours/day of the week/ return to main screen.

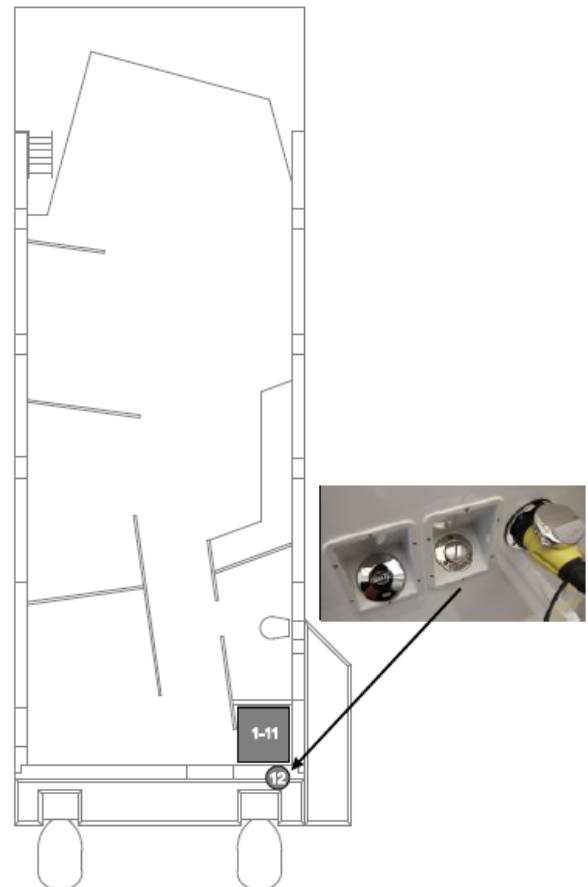
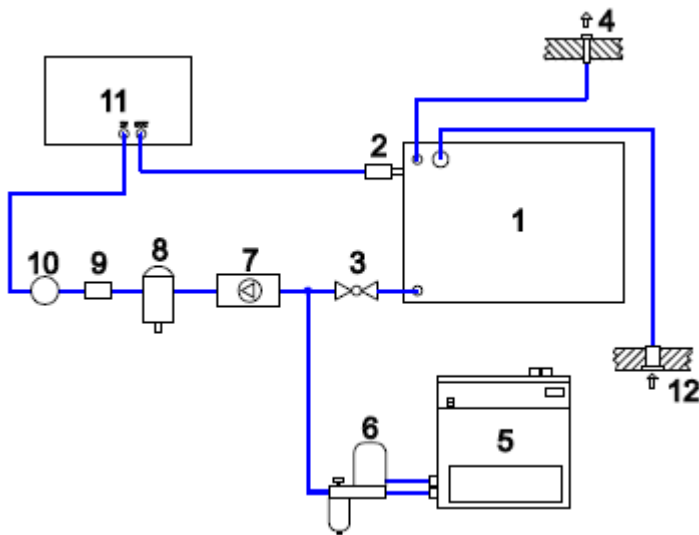
Press and hold the button for 3 sec. will guide you to the weekly settings mode.

Pressing the Timer button will move you between different zones, and accept the settings made by using ^ and v buttons.

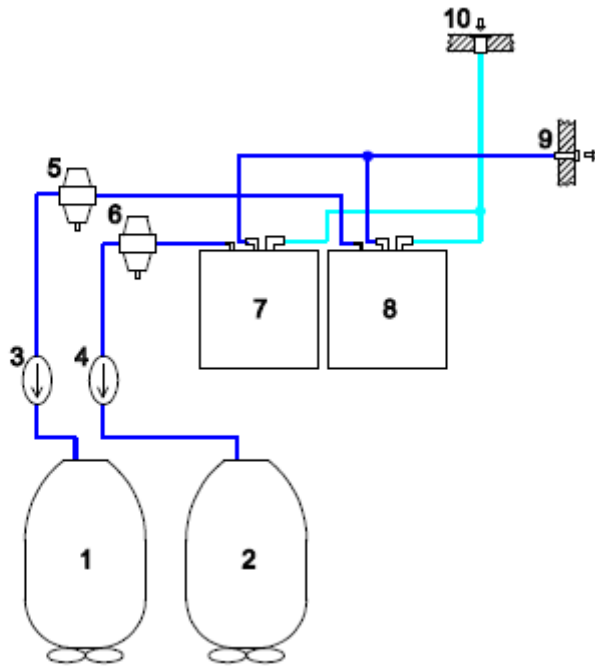
11. DIESEL SYSTEM

LEGEND:

- 1 – Diesel tank
- 2 – Non-return valve
- 3 – Ball valve
- 4 – Diesel tank breather
- 5 – Kabola heating unit
- 6 – Kabola fuel filter
- 7 – Generator fuel pump
- 8 – Generator's pre fuel filter
- 9 – Generator's non-return valve
- 10 – Generator's accurate fuel filter
- 11 - Generator
- 12 – Diesel inlet

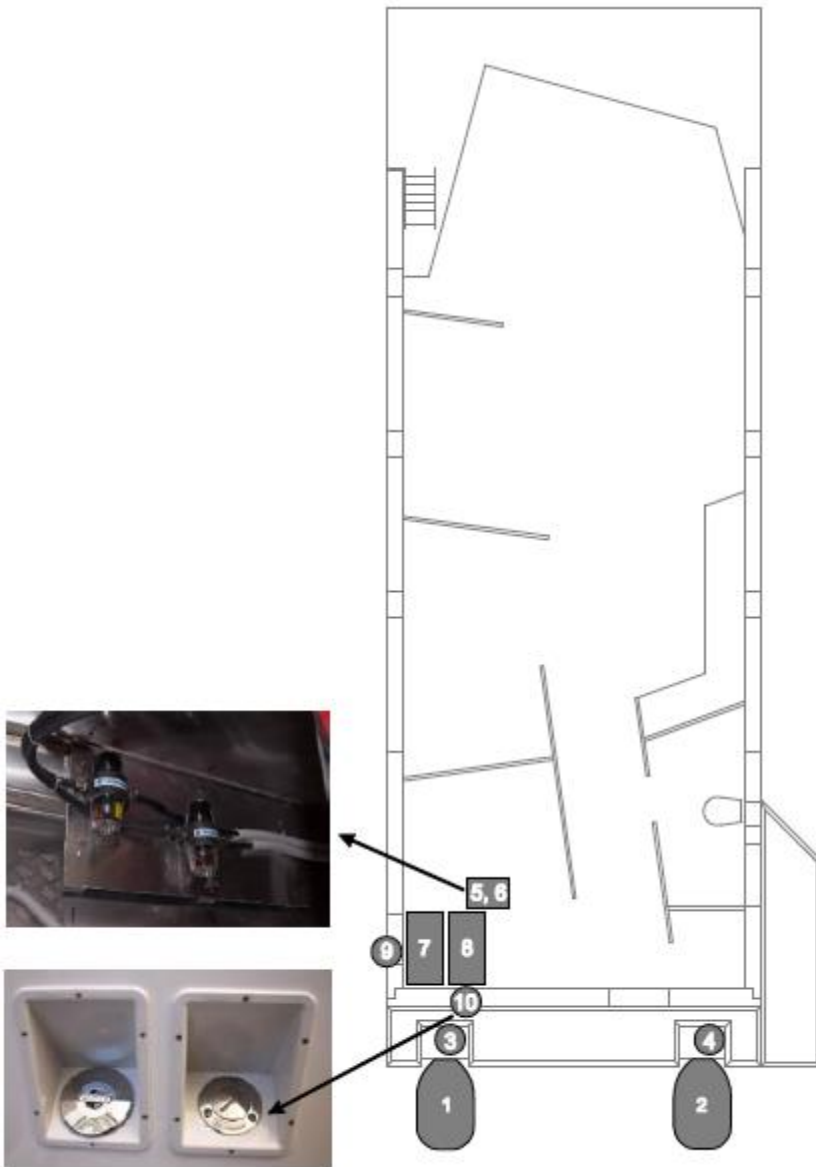


12. ENGINES FUEL SYSTEM



LEGEND:

- 1 – Port engine – SUZUKI DF60AVTL high thrust
- 2 – Stb engine – SUZUKI DF60AVTL high thrust
- 3 – Port engine’s manual fuel pump
- 4 – Stb engine’s manual fuel pump
- 5 – Port engine’s fuel filter
- 6 – Stb engine’s fuel filter
- 7 – Stb engine’s fuel tank
- 8 – Port engine’s fuel tank
- 9 – Fuel tank breathers
- 10 – Fuel inlets



* It is your responsibility to service your engines on time. You are obliged to use registered Suzuki service in order to meet the warranty terms. For further info please read Engine User's Manual.

13. POWER GENERATOR

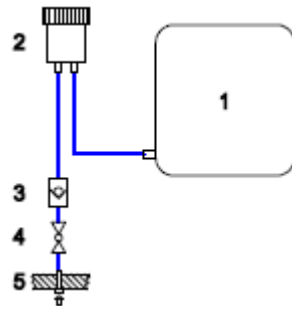
The vessel is equipped with a Panda 5000i 230V power generator. The unit is located under the floor of technical compartment and it is connected to the diesel system installed on the vessel. The controll unit is located on the side wall of the technical room.



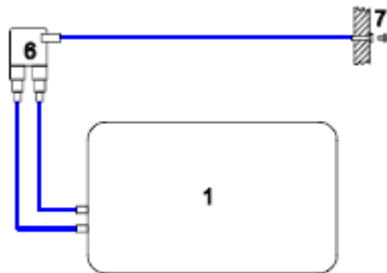
*Please read Fischer Panda User's Guide for further info.

*It is your responsibility to service your generator on time

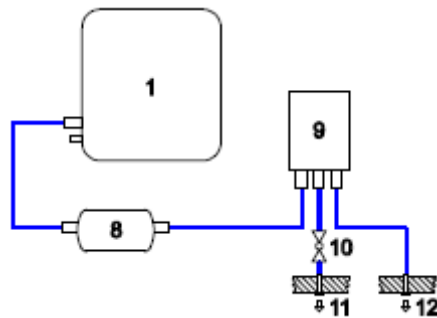
GENERATOR'S COOLING SYSTEM:



GENERATOR'S BLEEDING SYSTEM:



GENERATOR'S EXHAUST:



LEGEND:

- 1 - Fischer Panda 5000i Generator
- 2 - Water stainer
- 3 - Non-return valve
- 4 - Inlet valve
- 5 - Water inlet
- 6 - Air Valve
- 7 - Air outlet
- 8 - Water lock
- 9 - Water separator
- 10 - Outlet valve
- 11 - Water outlet
- 12 - Exhaust outlet

14. TECHNICAL ROOM



LEGEND:

- 1 – Siemens heating controll unit
- 2 – Diesel tank indicator
- 3 – Water tank indicator
- 4 – Septic tank indicator
- 5 – Generator's controll unit
- 6 - 12VDC fuse box
- 7 - 230VAC fuse box
- 8 – Battery charging controll unit
- 9 – Port engine power switch
- 10 – Stb engine power switch
- 11 - 12VDC main switch
- 12 – Controll unit for the Vetus inverter/charger system
- 13 - List (-12VDC)
- 14 – Electromagnetic power switch for 12VDC
- 15 – Generator's power switch

Fuse box - 230VAC



LEGEND:

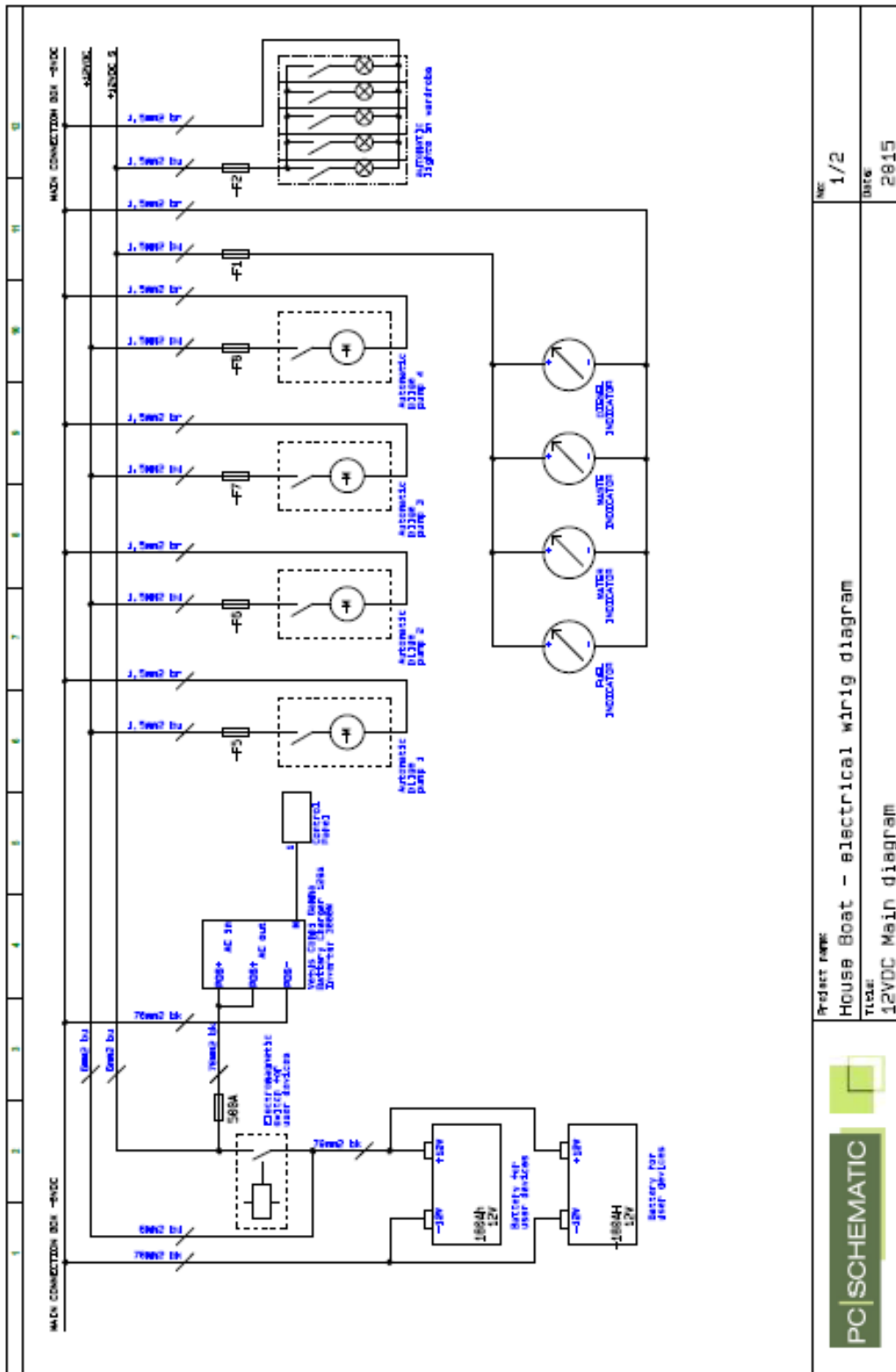
- 1 – Heat pump
- 2 - Zabezpieczenie różnicowo-prądowe 30mA
- 3 - Fridge
- 4 - Stove
- 5 – Induction cooking plate
- 6 – Battery chargers
- 7 – Sockets: bathroom, technical room, floor heating
- 8 – Socket: bedroom
- 9 – Socket: saloon
- 10 – Interior lights
- 11 – Antifreeze cable for the water system

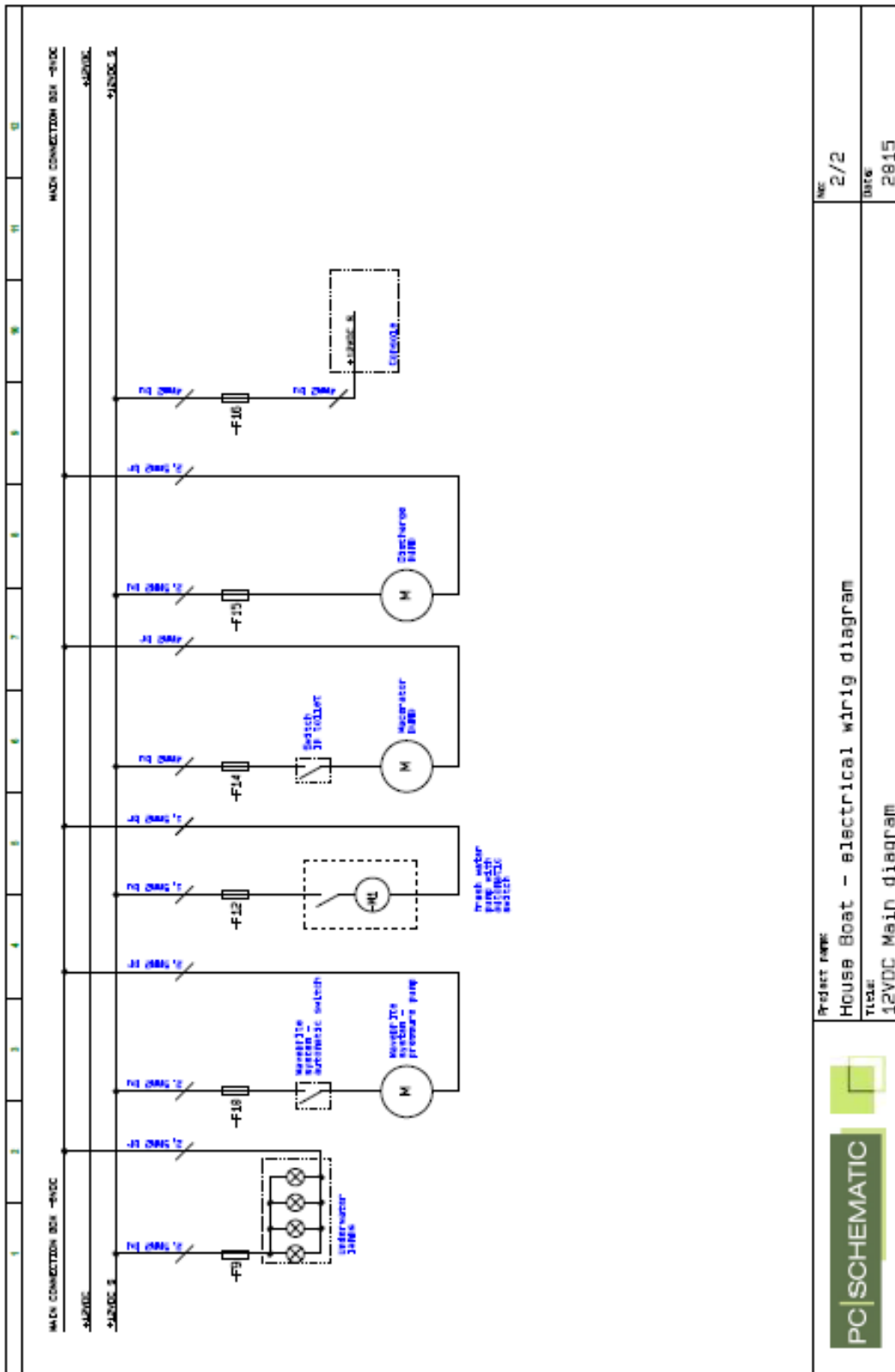
FUSE BOX - 12VDC





LEGEND:

- F1 – Indicators lightening
- F2 – Wardrobe lights
- F3 - Free
- F4 - Free
- F5 – Bilge pump – port / stern hull
- F6 – Bilge pump – stb / stern hull
- F7 – Bilge pump – port / bow hull
- F8 – Bilge pump – stb / bow hull
- F9 – Underwater lights
- F10 – Grey water cleaning system
- F11 - Free
- F12 – Water pump
- F13 - 12V source
- F14 – Toilet power
- F15 – Septic discharge pump
- F16 – Steering console power





	Project name:	
	House Boat - electrical wiring diagram	
	Rev:	2/2
	Title:	12VDC Main diagram
		Date:
		2815

Additional remarks

- Please refer to User's Guides of the equipment installed onboard the vessel.
- Please make sure that the fuse for the landline power connection is of the right Amp level
- Please make sure that min. +5°C is kept onboard when vessel is unused for a long time
- Do not cruise on shallow waters
- The vessel is designed as per CE category D class – do not breach its regulations
- Check the weather forecast before each trip
- Do not drag the anchor when lifting up – it may cause the anchor winch's engine failure
- Control the condition of hull's surface on a regular basis
- Make sure that the anodes are in good condition on a regular basis
- Do not use ordinary toilet paper – it will destroy the macerator
- Drain out the direct water connection when outside temperature drops down below 5°C



Warzelnicza 1 Kołobrzeg

78-100 Polska

www.flohome.pl

tel: +48 728 878 410